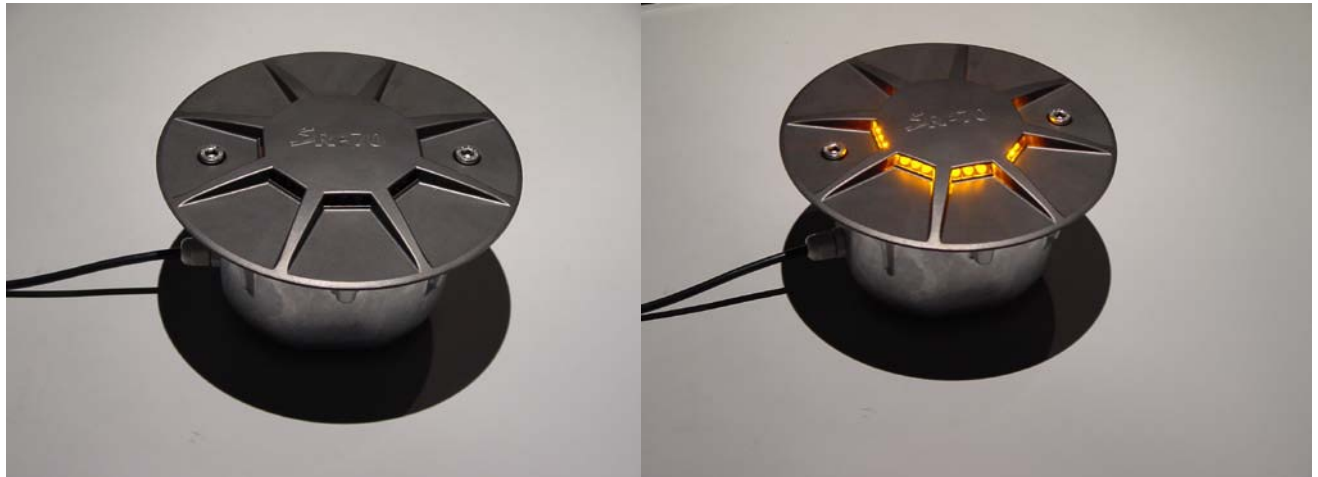


# SR-70 – Hard Wired Road Studs



<b>ADVANTAGES</b>		
<ul style="list-style-type: none"> <li>• Ideal in snowy conditions</li> <li>• Robust construction, suitable for harsh conditions</li> <li>• Use of stainless steel with resistance to high impact and corrosion</li> <li>• Suitable for applications in roads, tunnels, parks and airports</li> <li>• High brightness day or night</li> <li>• 100% waterproof</li> <li>• LEDs high brightness with colour calibration with different colours (white, red, amber)</li> <li>• System wired for solar power or grid</li> <li>• Possibility of connection of n elements</li> <li>• Variable distance cables</li> </ul>	<ul style="list-style-type: none"> <li>• Low maintenance</li> <li>• Possibility of integration with device control traffic</li> <li>• 360° view</li> <li>• LEDs protected by polycarbonate window</li> <li>• Multiples mode of operation</li> <li>• Very easy replacement, main body can be removed whilst still in place</li> <li>• Programmable functions (optional)</li> <li>• PC remote controlling (optional)</li> <li>• Communication protocol (optional)</li> <li>• Variable brightness (optional)</li> <li>• Operating time programmable (optional)</li> </ul>	
<b>MODES OF OPERATION</b>		
<ul style="list-style-type: none"> <li>• Always on</li> </ul>	<ul style="list-style-type: none"> <li>• Flashing</li> <li>• Sequential</li> </ul>	
<b>Communication protocol Master/Slave</b>	Communication RS485 (Optional)	Communication CAN-BUS (Optional)



**REMA Nikkalite**

T: 01928 579 966 F: 01928 579 965 E: [uksales@rennicks.com](mailto:uksales@rennicks.com)

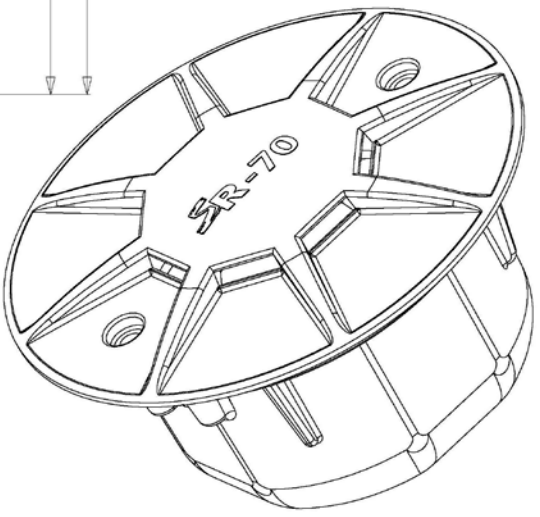
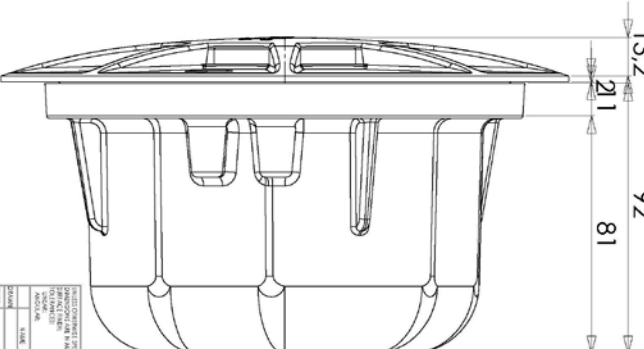
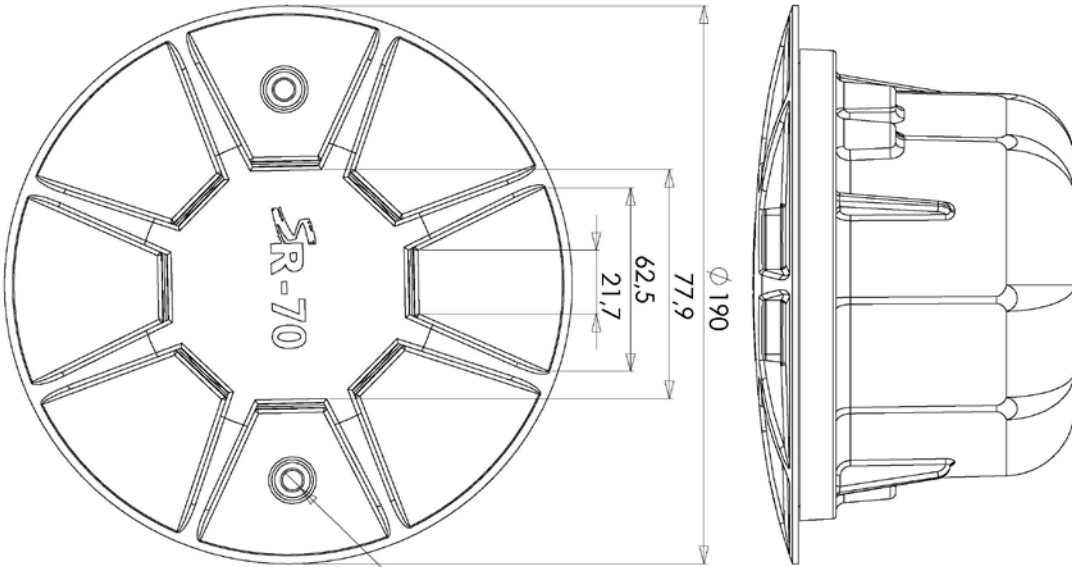
[www.rennicksuk.com](http://www.rennicksuk.com)

Registered in the United Kingdom No. 2101567 VAT No. GB 464 633633



**Rennicks** U.K.  
CLEARLY BETTER

<b>ELECTRICAL CHARACTERISTICS</b>					
<b>Power</b>	12 Vdc			24Vdc	
<b>LED Colour</b>	Amber	Red	White	Blue	Green
<b>Average consumption</b>	<b>160mA</b>				
<b>POWER CABLE</b>					
Brown/Red (+)			Blue/Black (-)		
<b>OPTICAL CHARACTERISTICS</b>					
<b>Number of LEDs</b>	24 LEDs 5mm (White, Blue, Green, Amber, Red)				
<b>Type LED</b>	CREE 5mm		NICHIA 5mm/3mm		
<b>Colour LED</b>	Amber	Red	White	Blue	Green
<b>Viewing Angle</b>	30°	30°	45°	30°	45°
<b>Brightness Intensity</b>	Min: 5860mcd Max: 8200mcd	Min: 4180mcd Max: 5860mcd	Min: 6000mcd Max: 8500mcd	Min: 4190mcd Max: 6020mcd	Min: 4190mcd Max: 6020mcd
<b>STUD BODY</b>					
<b>Physical dimensions</b>	Diameter: 190mm Depth: 105.2mm Maximum rising from road surface: 13.2mm (centre of the parable) Installation depth: 95mm Visible surface: Diameter 190mm				
<b>Material</b>	Base – Aluminium Top – Stainless steel, Polycarbonate				
<b>Cap Treatment Options</b>	Standard treatment				
<b>Mechanical Resistance</b>	?? Tons				



PROJEKCIJSKI NADZOR		PROJEKCIJSKI NADZOR	
VRSTA	PROJEKT	PROJEKCIJSKI NADZOR	PROJEKCIJSKI NADZOR

OPIS OBLASTI OBLASTI OBLASTI OBLASTI

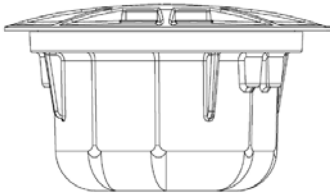
SR 70

A2

# Standard Installation Procedure

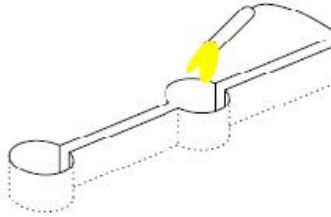
1

Drill hole  
95mm deep,  
162mm  
diameter.  
Open a  
connection  
between the  
holes for  
cabling:  
Width 25mm  
Depth 65mm



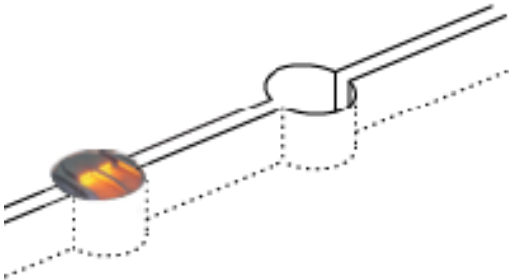
2

Dry the hole with  
blow torch and  
clean all the  
structure



3

Apply recommended adhesive in the  
hole to secure the SR-48



4

Allow the adhesive to dry for at least 1 hour



Installation complete