

# SR-45 – Hard Wired Road Studs



<b>ADVANTAGES</b>		
<ul style="list-style-type: none"> <li>• Ideal in snowy conditions</li> <li>• Robust construction, suitable for harsh conditions</li> <li>• High brightness day or night</li> <li>• 100% waterproof</li> <li>• LEDs high brightness with colour calibration with different colours (white, red, amber)</li> <li>• System wired for solar power or grid</li> <li>• Possibility of connection of n elements</li> <li>• Very easy replacement – main body removable whilst in position</li> <li>• Variable brightness</li> <li>• Duty - Cycle</li> </ul>	<ul style="list-style-type: none"> <li>• Variable distance cables</li> <li>• Automatic cleaning</li> <li>• Low maintenance</li> <li>• Possibility of integration with device control traffic</li> <li>• Unidirectional operation</li> <li>• LEDs protected by polycarbonate window</li> <li>• Multiples mode of operation</li> <li>• Programmable functions</li> <li>• PC remote controlling</li> <li>• Communication protocol</li> <li>• Operating time programmable</li> </ul>	
<b>MODES OF OPERATION</b>		
<ul style="list-style-type: none"> <li>• Always on</li> </ul>	<ul style="list-style-type: none"> <li>• Flashing</li> <li>• Sequential</li> </ul>	
<b>Communication protocol Master/Slave</b>	Communication RS485 (Optional)	Communication CAN-BUS (Optional)



**REMA Nikkalite**

T: 01928 579 966 F: 01928 579 965 E: [uksales@rennicks.com](mailto:uksales@rennicks.com)

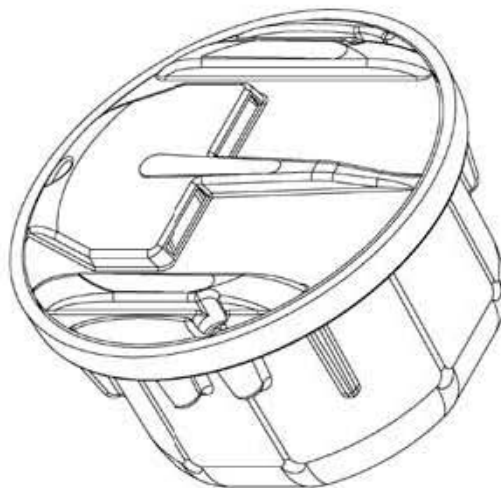
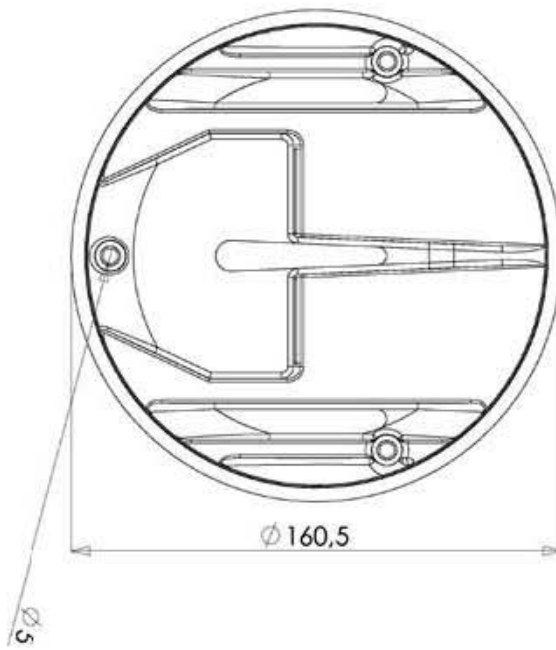
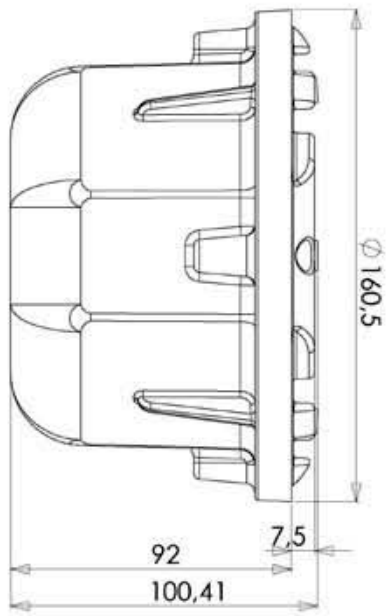
[www.rennicksuk.com](http://www.rennicksuk.com)

Registered in the United Kingdom No. 2101567 VAT No. GB 464 633633



**Rennicks** U.K.  
CLEARLY BETTER

<b>ELECTRICAL CHARACTERISTICS</b>					
<b>Power</b>	12 Vdc			24Vdc	
<b>LED Colour</b>	Amber	Red	White	Blue	Green
<b>Average consumption</b>	<b>80mA</b>				
<b>POWER CABLE</b>					
Brown (+)			Blue (-)		
<b>OPTICAL CHARACTERISTICS</b>					
<b>Number of LEDs</b>	12 LEDs 3mm (White, Blue, Green) 8 LEDs 5mm (White, Blue, Green, Amber, Red)				
<b>Type LED</b>	CREE 5mm		NICHIA 5mm/3mm		
<b>Colour LED</b>	Amber	Red	White	Blue	Green
<b>Viewing Angle</b>	15°	15°	15° (5mm) 20° (3mm)	15° (5mm) 15° (3mm)	15° (5mm) 15° (3mm)
<b>Brightness Intensity</b>	Min: 8200mcd Max: 16800mcd	Min: 8200mcd Max: 16800mcd	Min: 22000mcd Max: 31000mcd (5mm)	Min: 6960mcd Max: 9750mcd (5mm)	Min: 15320mcd Max: 21650mcd (5mm)
			Min: 5520mcd Max: 7800mcd (3mm)	Min: 2760mcd Max: 3880mcd (3mm)	Min: 9200mcd Max: 13200mcd (3mm)
<b>STUD BODY</b>					
<b>Physical dimensions</b>	Diameter: 160.5mm Depth: 100.41mm Maximum rising from road surface: 7.5mm (centre of the parable) Installation depth: 95mm Visible surface: Diameter 160.5mm				
<b>Material</b>	Base – Aluminium Top – Stainless steel or Aluminium, Polycarbonate				
<b>Cap Treatment Options</b>	Standard treatment				
<b>Mechanical Resistance</b>	?? Tons				

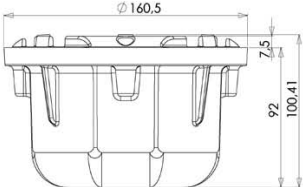


IDENTIFICACION DEL DISEÑO: NOMBRE: SR-45 TOTAL-CLIENTES CATEGORIA: SR-45 TOTAL-CLIENTES VERSION: 01		FECHA DE EMISION: 15/05/2024	
DISEÑADOR: SERNIS		REVISOR: SERNIS	
TITULO: SR-45 TOTAL-CLIENTES		ESCALA: 1:1	
AREA: A2		PROYECTO: SR-45 TOTAL-CLIENTES	

# Standard Installation Procedure

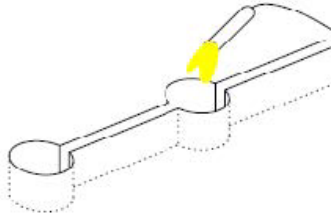
1

Drill hole  
95mm deep,  
162mm  
diameter.  
Open a  
connection  
between the  
holes for  
cabling:  
Width 25mm  
Depth 65mm



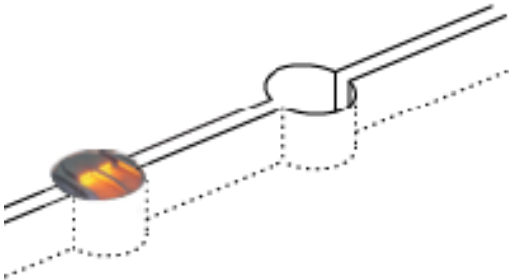
2

Dry the hole with  
blow torch and  
clean all the  
structure



3

Apply recommended adhesive in the  
hole to secure the SR-45



4

Allow the adhesive to dry for at least 1 hour



Installation complete