

SR-20 - Solar Road Studs



ADVANTAGES					
<ul style="list-style-type: none"> • Auto light detector • Energy storage in super capacitors or batteries for regional temperature variations • Internal reflection prism • Single LED) Unidirectional or Dual LED) Bidirectional • Low power consumption 			<ul style="list-style-type: none"> • Consistent installation using all round lip • 100% Polycarbonate • 100% Waterproof • Visibility up to 1km • UK lifetime up to 10 years • Maintainable for resurfacing • Various cap options 		
OPERATION MODES (Lowlight/Darkness)					
<ul style="list-style-type: none"> • Constant (always on) 			<ul style="list-style-type: none"> • Intermittent (Flashing) 		
ELECTRICAL CHARACTERISTICS					
	Mode	Super capacitor 2,3Vdc/120F		Battery (NI-MH): 1,2Vdc / 2100mA	
Average consumption	Constant	3.6mA		6mA	
	Intermittent		2.8mA		3mA
Autonomy after full charge	Constant	Min: 18 hours		120 hours	
	Intermittent	Max: 48 hours		120 hours	
Temperature range	-25°C to +85°C				



REMA Nikkalite

T: 01928 579 966 F: 01928 579 965 E: uksales@rennicks.com

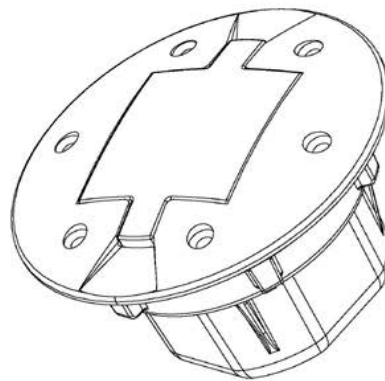
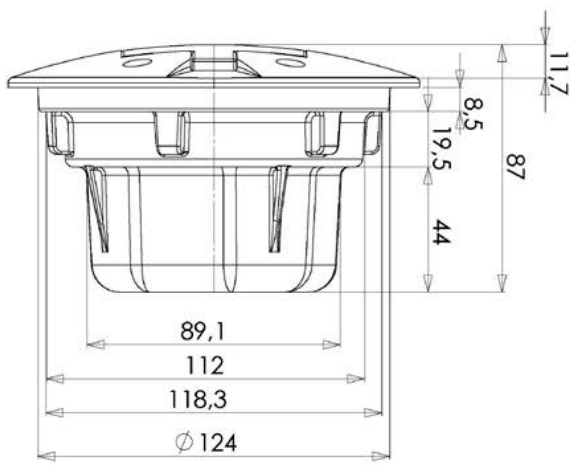
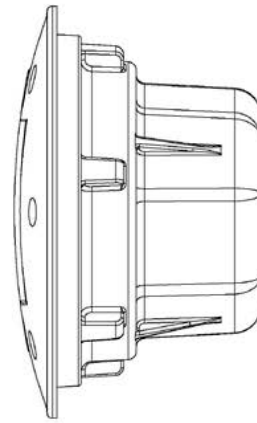
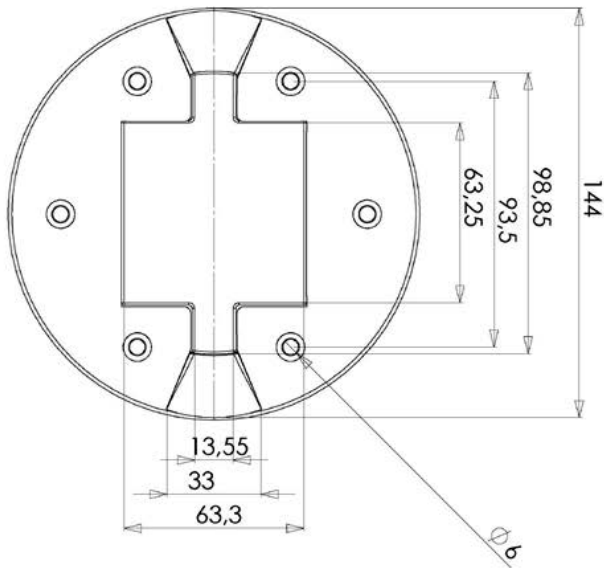
www.rennicksuk.com

Registered in the United Kingdom No. 2101567 VAT No. GB 464 633633



Rennicks U.K.
CLEARLY BETTER

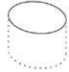
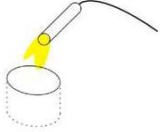


OPTICAL CHARACTERISTICS					
Number of LEDs	1 or 2 LEDs – Unidirectional 2 or 4 LEDs - Bidirectional				
Type LED	CREE 5mm		NICHIA 5mm		
Colour LED	Amber	Red	White	Blue	Green
Viewing Angle	15°	15°	15°	15°	15°
Brightness Intensity	Min: 8200mcd Max: 16800mcd	Min: 8200mcd Max: 16800mcd	Min: 22000mcd Max: 31000mcd	Min: 6960mcd Max: 9750mcd	Min: 15320mcd Max: 21650mcd
STUD BODY					
Physical dimensions	Diameter: 144mm Depth: 87mm Rising from road surface: 14.7mm (centre of the parable) Installation depth: 75mm Visible surface: Diameter 144mm				
Aluminium top surface finishes	Surface Options		Code		
	Brushed aluminium		Standard		
	Pedestrian area anti-skid		AS		
	Hard anodizing		HA		
	Architectural polished		P		
Mechanical Resistance	20 Tons				



REVISION	
DATE	
DESIGNER	
CHECKER	
APPROVER	
SR-20 TOTAL F	
A2	

INSTALLATION INTO CARRIAGEWAY

- As required by Traffic Signs Manual Chapter 5
- Sealing compound Triflex R238 or Sikadur 42; refer to the manufacturer's instructions for correct mixing and use.

<p>1) Drill hole 80mm deep using a 130mm diameter bit.</p>	
<p>2) Remove all debris from inside and around the hole edge. 3) Dry the hole using a blow torch.</p>	
<p>4) Pour sealing compound into each hole to approximately 50% of depth. 5) Orientate stud to the direction of traffic and firmly press into the hole. 6) Gently tap top of stud with a rubber mallet to seat the stud correctly. 7) Remove excess sealing compound. 8) Ensure shoulder of stud rests on carriageway surface. 9) Scoop up excess sealing compound from edges of stud. 10) Ensure no sealing compound is on surface of stud.</p>	 
<p>11) Allow sealing compound to dry for approximately 1 hour before traffic over the studs.</p>	