

SR-15

ACTIVE ROAD STUDS



European
design &
manufacture

Ideal for reduced
visibility conditions and
night time safety



www.rennicksuk.com


Rennicks^{U.K.}
CLEARLY BETTER



SR-15

ACTIVE ROAD STUDS

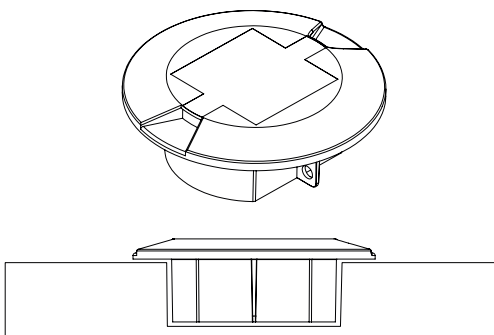
Offering a bright alternative to traditional cats eyes, the SR range of Active Road Studs provide excellent night time luminance. With an ever increasing need to switch off street lights to save energy, safety is paramount. The SR range of solar powered Active Road Studs have the answer - the bright dual LEDs light up the road, leading you safely along your route.

Technical Features

- High performance photovoltaic solar module
- Energy storage in super capacitors
- Internal prismatic system
- Unidirectional or bidirectional operation
- Low power consumption
- Very easy installation (screws are not necessary for installation)
- No oxidation problem
- 100% Polycarbonate
- 100% Waterproof
- Visibility: up to 1km

Mechanical Characteristics

- Diameter: 144.6mm
- Height: 50mm
- Rising from road surface: 12mm (centre of the parable)
- Installation depth: 45mm
- Dimensions (visible surface): 144.6mm



Electrical Characteristics

Storage energy by super capacitors:
 Intermittent mode: 1x2.3Vdc / > 120F
 Always on mode: 2x2.3Vdc / > 120F

Solar panel: monocrystalline

Size: 55x52mm

Current: 140mA

Voltage: 2.50V

VOC: 2.75V

ISC: 150mA

Autonomy: - 48 hours intermittent mode
 - 18 hours always on mode

Optical Characteristics

LED Numbers	Unidirectional 1 or 2 LEDs Bidirectional 2 or 4 LEDs				
LED Type	CREE 5mm		NICHIA 5mm		
LED Colour	Amber	Red	White	Blue	Green
Viewing Angle	15°	15°	15°	15°	15°
Brightness Intensity	Min: 8200 _{mcd}	Min: 8200 _{mcd}	Min: 22000 _{mcd}	Min: 6960 _{mcd}	Min: 15320 _{mcd}
	Max: 16800 _{mcd}	Max: 16800 _{mcd}	Max: 31000 _{mcd}	Max: 9750 _{mcd}	Max: 21650 _{mcd}

Call Rennicks today on:

01928 579966

F: 01928 579965 E: ruksales@rennicksmts.com

www.rennicksuk.com

